



# SUBMITTAL DRAWING



TMS Johnson, Inc. | 763-544-5442 | [www.tmsj.com](http://www.tmsj.com)  
Twin Cities: 2908 Nevada Ave N, New Hope, MN 55427  
Rochester: 3270 19th St NW, Suite 210, Rochester, MN 55901

# Duct Trapeze Hanger (DT)



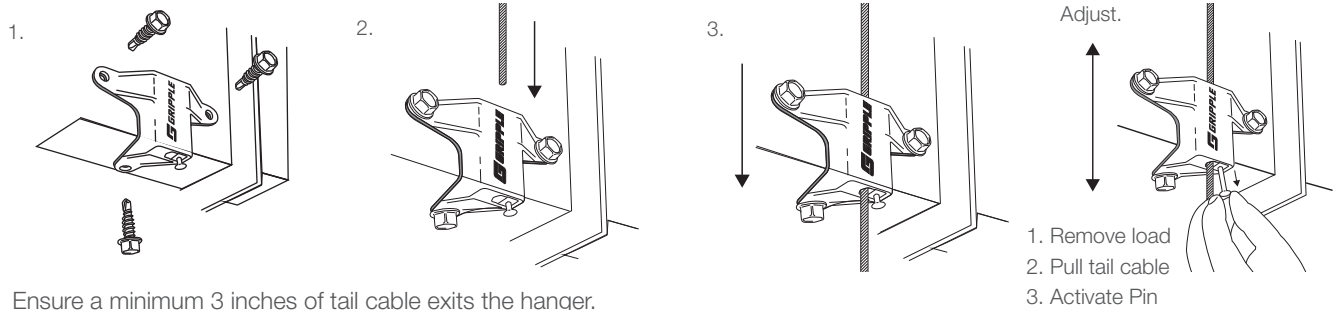
Cable hanger with one-way fastener or the fast suspension of rectangular duct and similar equipment in an indoor stationary setting. NOT suitable for use in chlorinated / swimming pool environments.

## FEATURES / BENEFITS

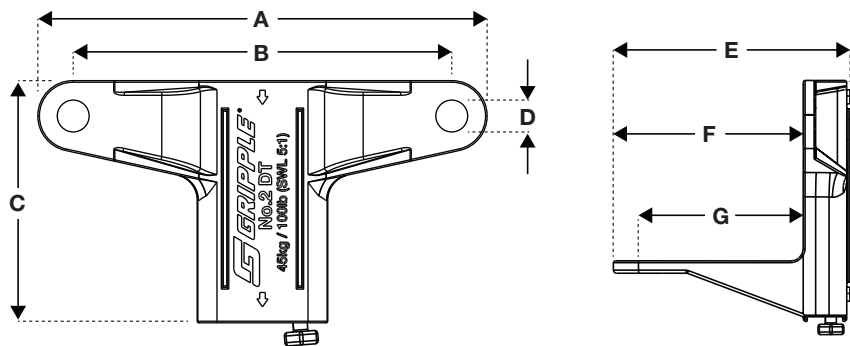
- Attaches to bottom of duct with self-drilling screws (not provided)
- OPTIONAL rubber pad prevents air leakage and dampens vibration
- Suitable for ducting made from 0.6 – 1.5 mm gauge steel
- Conforms to DW144 class D
- Pin allows rapid adjustment
- Supplied as a ready-to-use kit comprising a length of cable and pre-attached end fixing



## INSTALLATION & ADJUSTMENT



## SIZE SPECS



Dimension	(inches)
A	2.75
B	2.32
C	1.49
D	Ø - 0.19

Dimension	(inches)
E	1.49
F	1.14
G	0.90

## AVAILABLE END FIXINGS



For more options on available end fixings please contact us or visit [www.gripple.com](http://www.gripple.com)

## CABLE SPECS

Galvanized high tensile steel cable to EN12385. Standard lengths from 5ft-30ft, other lengths can be made to order.

	No.2
Cable Diameter	5/64"
Strand Configuration	7x7
Min. Breaking Load	500 lbs
Max. Safe Working Load	100 lbs
Tensile Strength (lbs/sq.in.)	256,700

## FASTENER SPECS

**Housing** - Type ZA2 Zinc

**Wedge** - Sintered steel hardened to min. 56 Rockwell C

**Spring** - Stainless Steel (Type 302)

**End Cap** - UV stabilized homopolymer propylene

**Optional Rubber Pad** - EPDM 40±5 SHORE A

**Pin** - A2 Stainless Steel

**Safe Working Load:**

No.2 - up to 100 lbs @5:1 safety factor

PI-DTRAPEZE-US

[www.gripple.com](http://www.gripple.com)

Gripple's policy is one of continuous development and innovation. We therefore reserve the right to alter specifications, etc. without notice.



Gripple Inc | 1611 Emily Lane | Aurora, IL 60502 | USA

Tel +1 866 474 7753 Fax +1 800 654 0689 Email [grippleinc@gripple.com](mailto:grippleinc@gripple.com)